

RE.0444L - Light

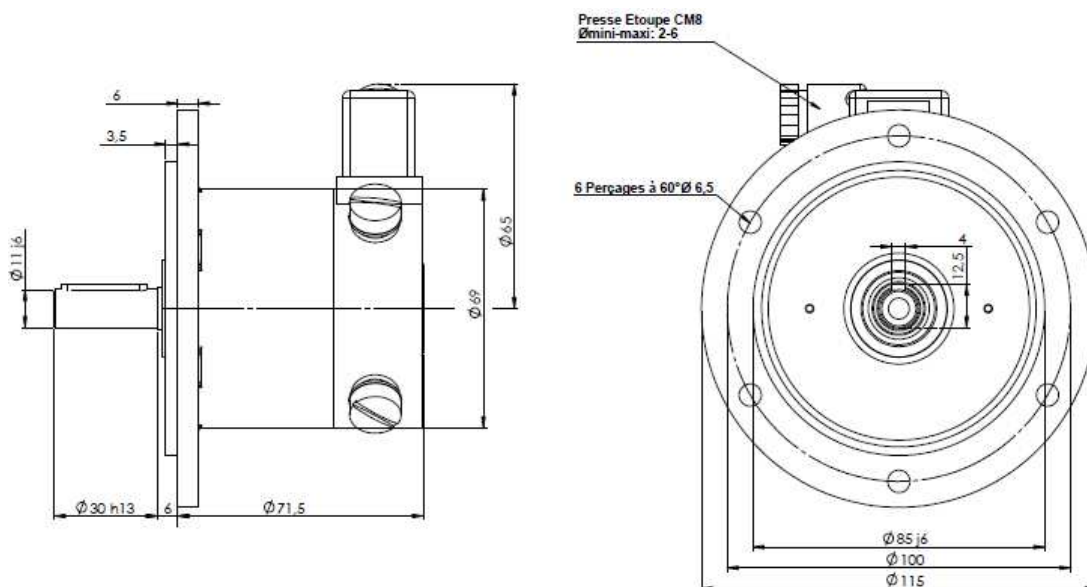
Direct Current Tachometer generator



- Applications :**
- Industry
 - Speed control & regulation
- Features :**
- Compact design
 - Good quality signal
 - DIN connector



MOUNTING FORM



MAIN CHARACTERISTICS

DESCRIPTION	SYMB	VALUE	CONSTRUCTION DETAILS	
Max. speed	n_m	8 000 rpm	Number of poles	4
Moment of inertia	J	0,62 Kg cm ²	Armature slots number	33
No-load driving torque	M_r	0,4 N.cm	Commutator blades number	33
Max. radial shaft stress			Insulation class	B (IEC 34-1)
7x30 mm	F	0,4 da N	Operating temperature	-20 +80 °C
11x30 mm	F	1,0 da N	Climatic protection	C _a (IEC 68-1)
Maximum E.M.F.	E_m	300 V	Ingress protection	IP44 (IEC 34-5)
Maximum linearity error	ΔE	$\leq 0,15 \% E_T$	Direction of rotation	reversible
Overall ripple rate (peak to peak)	ΔE_c	$\leq 1 \% E_c$	Excitation	Permanent magnets - Samarium cobalt
Rotation harmonics (f=2 p.n)	ΔE_p	$\leq 0,3 \% E_c$		
Slots harmonics (f=Z.n.)	ΔE_z	$\leq 0,7 \% E_c$		
Calibration precision	ΔE_o	$\pm 1,5 \% E_{T_o}$		
E.M.F. temperature drift	ΔE_e	0,03 %/°C		
Time constant	C_t	0,2 ms		
Filter :				
Time constant of filter		1 ms		
Load current	L_c	3 mA		
Speed	n	3000 rpm		
			Weight	1 kg

RE.0444L - Light

Direct Current Tachometer generator

MECHANICAL OPTIONS

	MOUNTING SIDE		
	D (mm)	L (mm)	Ball-bearing
Standard shaft	7	30	8 x 22 x 7 ZZ
	11	30	12 x 28 x 8 ZZ
Special shaft	14 max	30	15 x 32 x 9 ZZ



Markings and polarity of terminals (cables) for counter-clockwise rotation, seen from the shaft

A1 : +
A2 : -

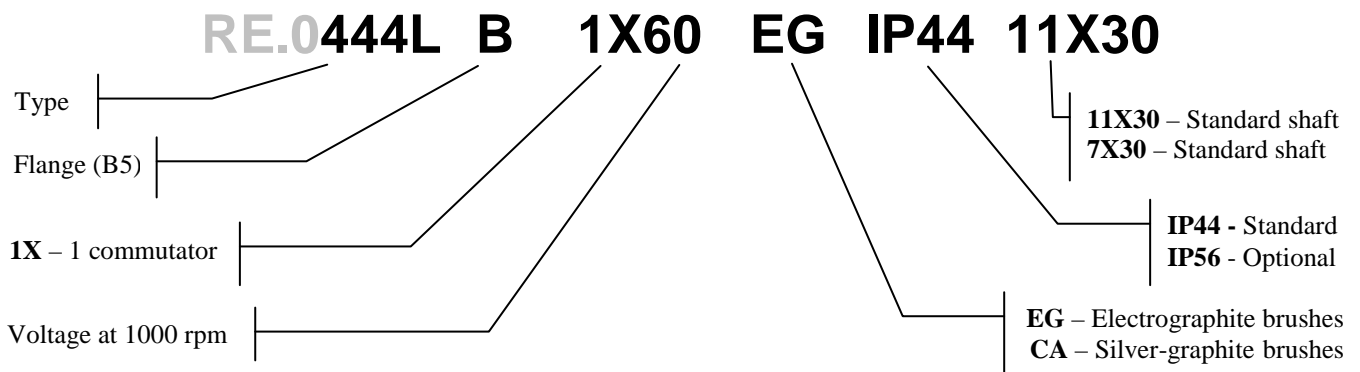
ELECTRICAL OPTIONS

DESCRIPTION	SYMB	UNIT	VALUES	
E.M.F at 1 000 rpm	E_n	V	60	
Voltage gradient	C_v	V/rpm	0,06	
Armature resistance	R_a	Ω	160	
Max thermal load	I_{th}	A	0,1	
Max. Allowed speed	n_a	rpm	EG brushes	5000
			CA brushes	5000

BRUSHES

GRADE	PART NO	MAX OUTPUT VOLTAGE	DIMENSIONS	QUANTITY
EG - Electrographite	/0011987	< 300 V	6 x 4 x 9,9 mm	4
CA - Silver-graphite	/0003341			

PRODUCT DESCRIPTION



When inquiring, please advise the serial number of the tachogenerator to be replaced.